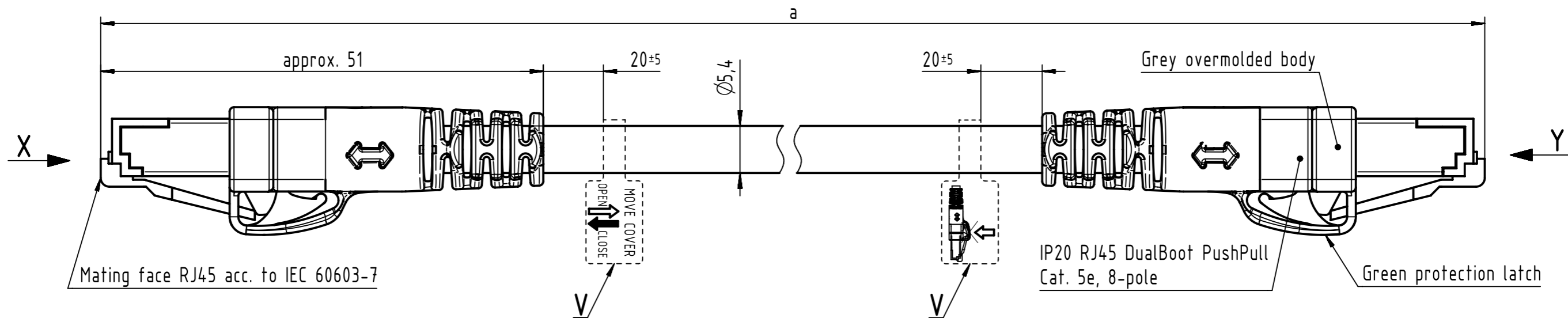
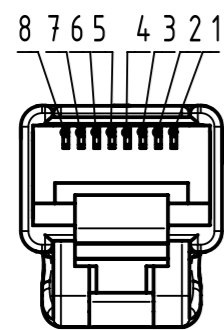


Connector Location A

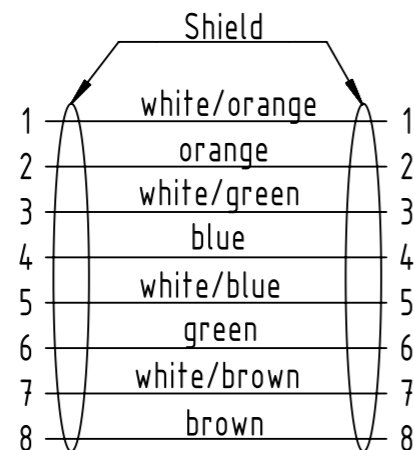
Connector Location B



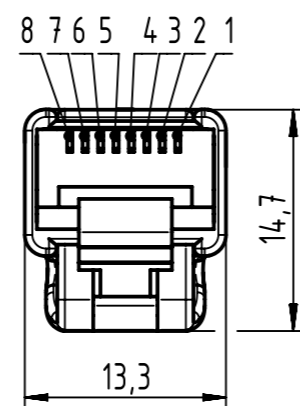
X male



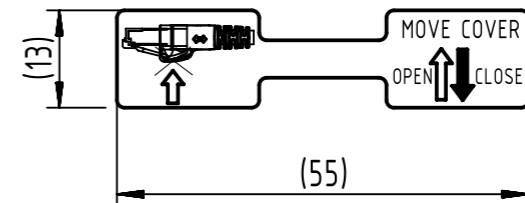
Loading Plan acc. to TIA/EIA 568B



Y male



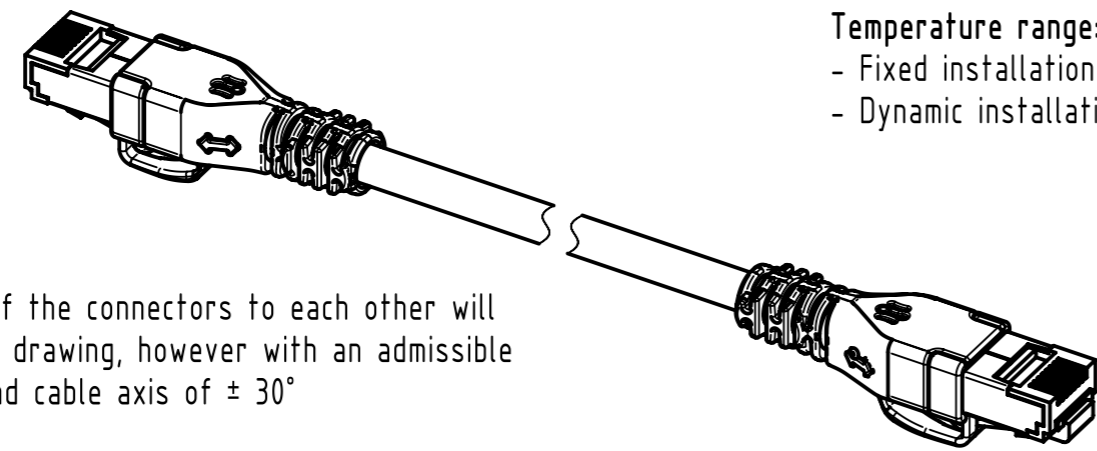
V Label



length in "1m" step	100	XXX=000
	99	XXX=990
length in "0.1m" step	12	XXX=120
	11	XXX=110
	10	XXX=100
	9.9	XXX=099
	9.8	XXX=098
	0.5	XXX=005
	0.4	XXX=004
	0.3	XXX=003
0.2	XXX=002	
Step	a [m]	XXX

6.0 to 100	±1%
0.6 to 5.9	+0.04
0.2 to 0.5	+0.02
a [m]	Tolerance

Temperature range:
 - Fixed installation: -20°C ... +60°C
 - Dynamic installation: 0°C ... +50°C



Cat.5e FRNC Ethernet Cable, AWG26/7, F/UTP, green	09488989594XXX
Type of cable	Part no.

NOTE:
 * For lengths < 1.0m:
 - relative positioning of the connectors to each other will be as presented in the drawing, however with an admissible angular deviation around cable axis of ± 30°
 * For lengths ≥ 1.0m:
 -relative positioning of the connectors to each other not obligatory
 * Ethernet transmission possible for lengths up to 45m

All Dimensions in mm		Tech. Character.		Free size tol.		According to production drawing	
All rights reserved Department HCS - RO HARTING Customised Solutions D-32339 Espelkamp	Created by BANIUD Banciu	Inspected by COSTEA Costea	Standardisation MUNTEANV Muntean	Date 2019-04-12	State Final Release		Doc-Key / ECM-Nr. 100578168/UGD/000/E 500000151689 Rev. E Page 1/1
	Title DualBoot RJ45 PP FRNC Cat.5e green			Type TB	Number 09488989594XXX		